

PROVA[®]

AVM-301 / 303 ANEMOMETER

Ideal for:

Ventilation survey

Air-conditioning / Heating

Sports recreational

Features:

- Sensitive for low air velocity
- Ergonomic Design
- Detachable 52mm (diameter) Vane Head
- 1.8 meters coiled cable/ back mounting screw for long extension
- Low Power Consumption (6mA)
- Max/ Min/ Ave and Data hold functions
- RS-232C interface (for AVM-303 only).
- Optional portable thermal printer (for AVM-303 only).



AVM-301 / 303 ANEMOMETER

Electrical Specifications (23°C±5°C)

Air Velocity:

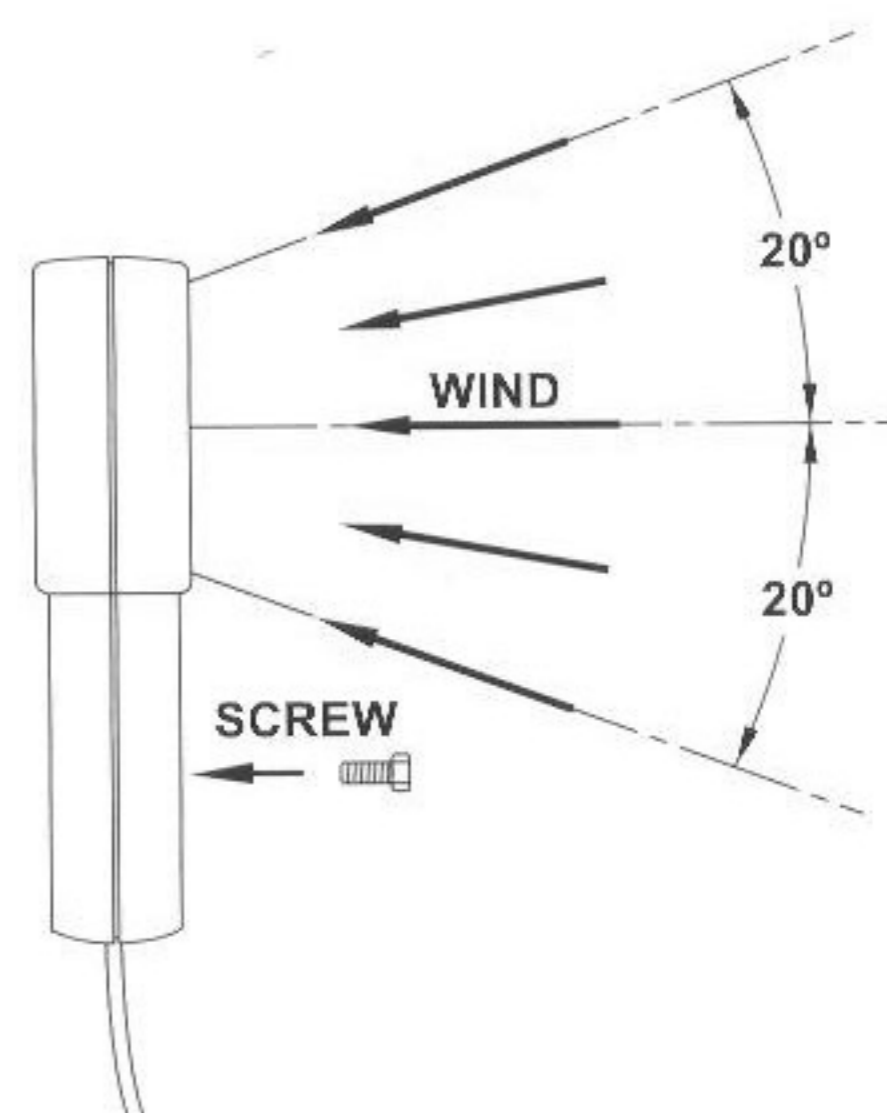
Units	Range	Resolution	Threshold	Accuracy
m/s	0 - 45.00	0.01	0.3	±3% ± 0.1
ft/min	0 - 8800	0.01/0.1/1	60	±3% ± 10
knots	0 - 88.00	0.01/0.1	0.6	±3% ± 0.1
Km/hr	0 - 140.0	0.01/0.1	1.0	±3% ± 0.1
mph	0 - 100.0	0.01/0.1	0.7	±3% ± 0.1

Remarks:

m/s: meter per second
ft/min: feet per minute
knots: nautical miles per hour
Km/hr: kilometers per hour
mph: miles per hour

General Specifications:

Altitude: 2000m
Battery: two 1.5 SUM-3
Operating Pressure: 500 mB ~ 2 Bar
Power Consumption: Approx. 6 mA
Battery Life: 200 hours (for 2000mA-hrs battery)
Averaging Period for Wind Speed Measurement: 0.5 sec. (approx.)
Operating Temperature: (Box) 0 ~ 50°C
(Vane) 0 ~ 60°C
Operating Humidity: less than 80% RH
Storage Temperature: -40 to 60°C
Storage Humidity: less than 80% RH
Dimension (Box): 130mm(L) x 80mm(W) x 43mm(H)
5.1"(L) x 3.1"(W) x 1.7"(H)
Dimension (Vane): 66mm(L) x 132mm(W) x 29.2mm(H)
2.60"(L) x 5.22"(W) x 1.15"(H)
Weight: 280g (batteries included)
Accessory: Carrying case x 1
Users manual x 1
1.5V battery x 2
Option (for AVM-303 only): Prova 300XP Portable Thermal Printer



PROVA®

PROVA INSTRUMENTS INC.

6F-2, No. 129, Lane 235, Pao-Chiao Rd., Shin-Tien, Taipei Hsien 231, Taiwan

Tel: 886-2-8919-1255 Fax: 886-2-8919-1489

http://www.prova.com.tw E-mail: prova@ms3.hinet.net